

**ELEVATE™ SEATED SHOWER BASE**

- 6030ST3R ELEVATE SEATED SHOWER BASE**  
Right Hand Outlet
- 6030ST3L ELEVATE SEATED SHOWER BASE**  
Left Hand Outlet

**Product Features:**

- High-gloss acrylic surface with fiberglass reinforcement
- Fits in 30" (762 mm) alcove for easier remodeling
- Generous deck for storage or foot rest/shaving ledge
- Low threshold for easier entry/exit
- Design-matched to Elevate wall surround (sold separately)
- Integral three-sided, tiling/water retention flange
- Textured base helps protect against slips and falls
- Integral 17" (432 mm) tall, reinforced shower seat
- Integral side splash guards
- Offset drain for ease of retrofit

**Nominal Dimensions:**

60" x 30" x 20"  
(1524 x 762 x 508mm)

**For use with:**

- 6030SW Elevate Shower Wall Surround
- Base can also be tiled in

**Compliance Certifications -**

**Meets or Exceeds the Following Specifications:**

- ANSI Z124.1.2 for Plastic Showers
- cUPC

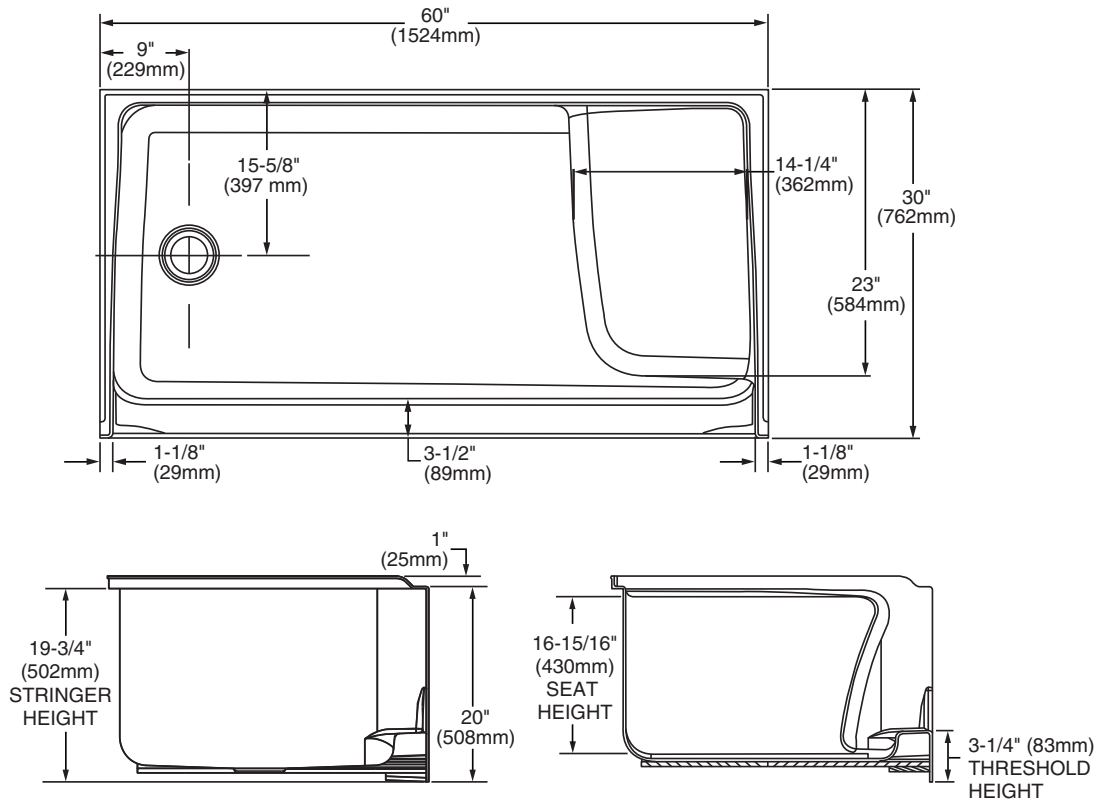


Elevate seated shower base and  
Elevate shower wall surround

SEE REVERSE SIDE FOR ROUGHING-IN DIMENSIONS  
AND PRODUCT SPECIFICATIONS

**To Be Specified - Required:**

- Color: Arctic White
- Shower Faucet: Recommended Shower Faucet: Edgemere
- Drain Kit:
  - 752506.0020A  
IPS with Polished Chrome Strainer
- Metal Drain Plate:
  - 751819-099 in Polished Brass  
or
  - 751819-295 in Satin Nickel



<b>GENERAL SPECIFICATIONS FOR 6030ST3 SHOWER BASE</b>	
INSTALLED SIZE	60 x 30 x 20 In. (1524 x 762 x 508mm)
WEIGHT	55 Lbs. (25 Kg)
WEIGHT w/WATER	N/A
GAL. TO OVERFLOW	N/A
BATHING WELL AT SUMP	N/A
BATHING WELL AT RIM	N/A
WATER DEPTH TO OVERFLOW	N/A
FLOOR LOADING (PROJECTED AREA)	28 Lbs./Sq.Ft. (137 Kgs/Sq.m)
PTS.	9.8
CUBE (FT <sup>2</sup> )	.26

**NOTES:**  
 REFER TO INSTALLATION INSTRUCTIONS SUPPLIED WITH SHOWER BASE FOR ADDITIONAL INFORMATION.

**IMPORTANT:** Dimensions of fixtures are nominal and may vary within the range of tolerances established by ANSI Standard Z124.1 / CSA. These measurements are subject to change or cancellation. No responsibility is assumed for use of superseded or voided pages.